

All-In-One POS Terminal P15 Technical Description



Bozz Technology (Shenzhen) Co., Ltd.

Release Version: V1.1

Date: May 27, 2020

AIO POS P15



1. Application scenarios

It is applicable to hotels, shopping malls, supermarket, fruit stores, fresh food stores, restaurants, transportation, beauty salons and other places etc.

2. Product features

- Wide dynamic binocular camera, accurate and fast identification, efficient infrared light compensation (Optional) ;
- 58 printer (Optional)
- Support the deployment of public network and LAN, 4G communication module is optional;
- Multiple screen size combinations are available;
- Dual screen rotatable with multi-angle.

3. Product Specification Sheet

Android dual screen intelligent desktop cash register			
Model	P15		
Screen	Size	12.1 inch TN ,14 inch IPS, 15.6 inch IPS	
	Resolution	1920 * 1080 G+G Capacitive multi-point touch screen	
Camera (Optional)	Resolution	Color 200MP/ IR 130MP (Optional)	
Basic specifications	OS	Android 7.1, can be updated to android 10/11 for bulks	
	CPU	A72*2+ A53*4 1.8GHz & Mail T860	
	Memory	4G DDR+16G EMMC Options: 32G/64G EMMC	
	Power supply	DC 12V/3A	
	Consumption	21W Max	
	Relative humidity	0%-90% (In the state of uncondensed water droplets)	
	Working temps	0°C ~ 50°C	
	Storage temps	-20°C ~ 70°C	
	Working environment	Indoor	
	Size of device	311.1mm*324.8mm*210mm	
	Interface	USB A *2	
		RJ45 LAN port*1	
		Type-C debugging port*1	
		DC-in*1	
		3.5mm earphone jack*1	
		Dedicated DP port*1	
		SIM card slot*1 (optional for 4G)	
		Micro TF card slot*1, Max 64G	
	Speaker	3W*1	
	WIFI	2.4G support IEEE 802.11 b/g/n	
BT	Support BT2.1/3.0/4.0/4.2		
4G Network	Optional: Custom purchase is required		
Package Data	Weight	4.5Kg	
	Size	320*351*248mm	

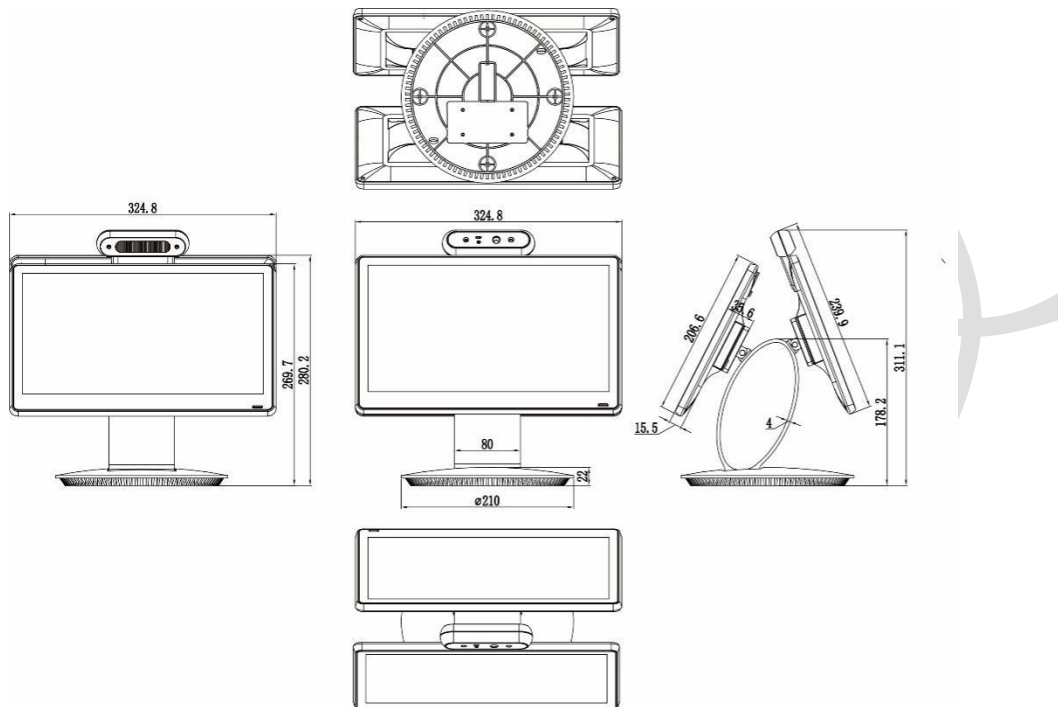
4. P15 Illustration

13.3"+13.3" dual-screen



5. Overall dimensions of P15 POS terminal

(311.1mm*324.8mm*210mm)



6. Appearance Description of P15



7. Product packaging and instructions

(1) List of materials/tools

NO	Materials/Tools	Quantity	Description
1	Host machine and its accessories	1	Accessories include: 12V power adapter, power adapter, desiccant, inspection certificate, etc.
2	Network cable (optional: outsourcing required)	Some	Used to arrange Ethernet and other remaining cabling
3	Network cable pliers, network tester, diagonal pliers, electrical tape, wire clips (optional: outsourcing required)	Some	Used to arrange Ethernet and other remaining cabling

(2) Installation note

A. During actual wiring, if the 12V power supply wire of the host does not use "Special power extension cable" and the distance is long, resulting in excessive equivalent resistance of the cable, it is easy to have insufficient terminal voltage ($\leq 11V$), system repeated restart /crash and other abnormal phenomena.

B. The installation environment must not be wet to avoid strong electricity and strong electromagnetic field. Such as electromagnetic appliances, mobile phones and other electrical appliances that could be moved at will should be kept far away from the equipment as possible.

C. This product is a precision device, of which the collision, drop, and vibration should be avoided, thus to avoid the falling of the main board components or the damage of the camera, which may lead to functional or performance problems of the product.

D. The device has its own power adapter, with a total length of 1.8m.

- ✓ The extension power cable shall not exceed 3m, otherwise it will lead to the abnormal phenomena, such as insufficient voltage supply, repeated system restarts or system crash etc.
- ✓ If use other adapters, such as 9V and 1A, are used, will cause insufficient voltage and too low current, and the equipment will be restarted repeatedly.
- ✓ The cables used should not be too thin (such as network cables). It is recommended to connect multiple strands of the same cable in parallel or use cables with copper cores thickened to ensure that the voltage is greater than 11V.
- ✓ Note: If use network cable, 4 strands of network cable shall be used as positive pole and 4 strands as negative pole for extension cable.
- ✓ If you do not know how to extend the cable, please contact the supplier to replace the "special power extension cable".